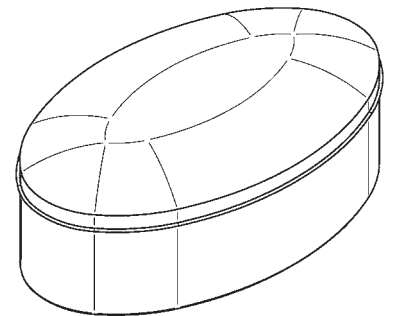




Updated: September 2019

OVAL TINS ■



- Closing mechanism ■ ST = slip lid
 ■ SCH = hinged lid
 ■ KSD = plastic lid with metal clip
 ■ PR = premium slip lid

- Lid type ■ g = domed lid
 ■ f = flat lid
 ■ a = stepped lid for stacking
 ■ s = special lid shapes – ask about available shapes

- Curls ■ IR = inward curl
 ■ AR = outward curl

- Legend ■ DE = lid ■ SiDe = bead on lid
 ■ RU = body ■ SiRu = bead on body
 ■ EDDe = plug lid ■ SpDe = money slot in lid
 ■ K = lid with knob ■ SpRu = money slot in body
 ■ SV = screw-on lid ■ DR = sealing ring
 ■ EAR = flush outward curl ■ BF = end with feet
 ■ UT = deep-drawn, one-piece base ■ SPU = musical module

- Product line ■ EL = Exclusive Line
 ■ Available from quantities of just a few thousand
 ■ Embossing, debossing or relief work on the tin body and the lid
 ■ Bespoke formats
 ■ Inward curl on the tin body
- PL = Perfect Line
 ■ For large-scale production
 ■ Outward curl on the tin body and the lid
 ■ Embossing on the lid possible

We offer a range of different closing mechanisms and lid types.
 Please refer to the following list for specific combination options.



Updated: September 2019

Article number	Dimensions in mm		Volume in ml	Closing mechanism				Curls		Lid type	Other	Product line
	Length x width	Height		ST	SCH	KSD	PR	AR	IR			
28030	115 x 85	41	290	■				■		a		EL
28020	115 x 85	65	480	■				■		a		EL
28000	115 x 85	117	880	■				■		f		EL
28010	115 x 85	151	1140	■				■		f		EL
28040	115 x 85	208	1580	■				■		g		EL
28045	115 x 85	208	1580	■				■		f		EL
28650	142 x 103	48	530	■					■	f		EL
28655	142 x 103	48	530	■					■	g		EL
28610	142 x 103	65	720	■					■	g		EL
28620	142 x 103	70	780	■					■	g		EL
28600	142 x 103	138	1570	■					■	a		EL
28630	142 x 103	138	1570	■					■	f		EL
28640	142 x 103	138	1570	■					■	g		EL
28200	174 x 105	53	730	■					■	g		EL
28210	174 x 105	60	830	■					■	g		EL
28220	174 x 105	127	1790	■					■	g		EL
28230	174 x 105	150	2120	■					■	g		EL
180132070	180 x 132	70	1210	■				■				PL
180132076	180 x 132	76	1320	■				■				PL
29420	230 x 140	55	1330	■				■		g		EL
29400	230 x 140	65	1590	■				■		g		EL
29410	230 x 140	141	3500	■				■		g		EL
29000	240 x 175	73	2340	■					■	f		EL
29010	240 x 175	105	3390	■					■	f		EL
29510	288 x 187	42	1690	■				■		f		EL
29500	288 x 187	50	2030	■				■		f		EL
29520	288 x 187	53	2160	■				■		f		EL
29800	290 x 220	49	2350	■				■		f		EL
29805	290 x 220	49	2350	■					■	f		EL
29810	290 x 220	60	2900	■				■		f		EL
29815	290 x 220	60	2900	■					■	g		EL
29840	290 x 220	75	3660	■					■	f		EL
29830	290 x 220	81	3980	■				■		f		EL
29820	290 x 220	110	5410	■					■	g		EL
302200060	302 x 200	60	2600	■				■				PL
320240061	320 x 240	61	3500	■				■				PL
320240116	320 x 240	116	6820	■				■				PL